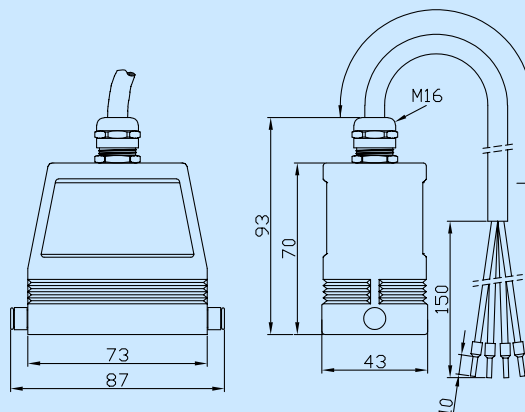


Motor connection plug with integrated suppression and prefabricated supply cable



Protection device	Varistor Motor circuit, Y-connection	Varistor Motor circuit, triangle
Type	LV-ST10-6170 3mPUR 3x400 V ST	LV-ST10-6173 3mPUR 3x400 V DR
Article no.	706170	706173
Technical Data		
Rated Voltage	3 AC 400 V	3 AC 400 V
Connection Cable Length	3 m	3 m

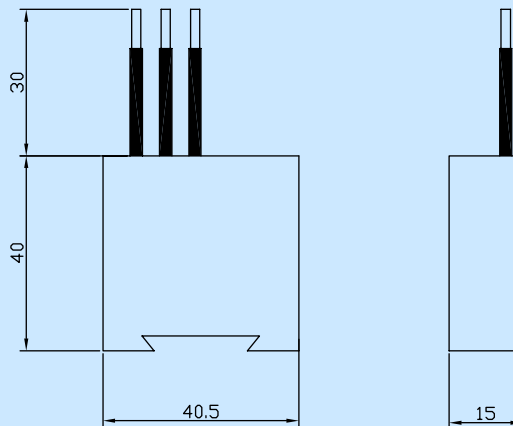
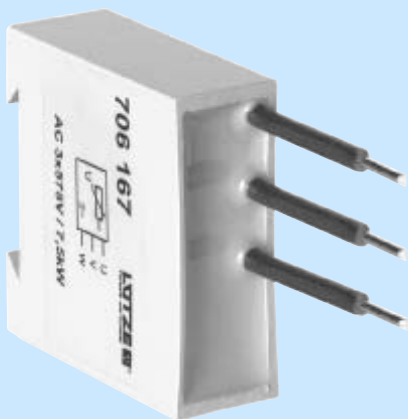
Type	LV-ST10-6171 5mPUR 3x400 V ST	LV-ST10-6174 5mPUR 3x400 V DR
Article no.	706171	706174
Technical Data		
Rated Voltage	3 AC 400 V	3 AC 400 V
Connection Cable Length	5 m	5 m

Type	LV-ST10-6172 10mPUR 3x400 V ST	LV-ST10-6175 10mPUR 3x400 V DR
Article no.	706172	706175
Technical Data		
Rated Voltage	3 AC 400 V	3 AC 400 V
Connection Cable Length	10 m	10 m

General Data

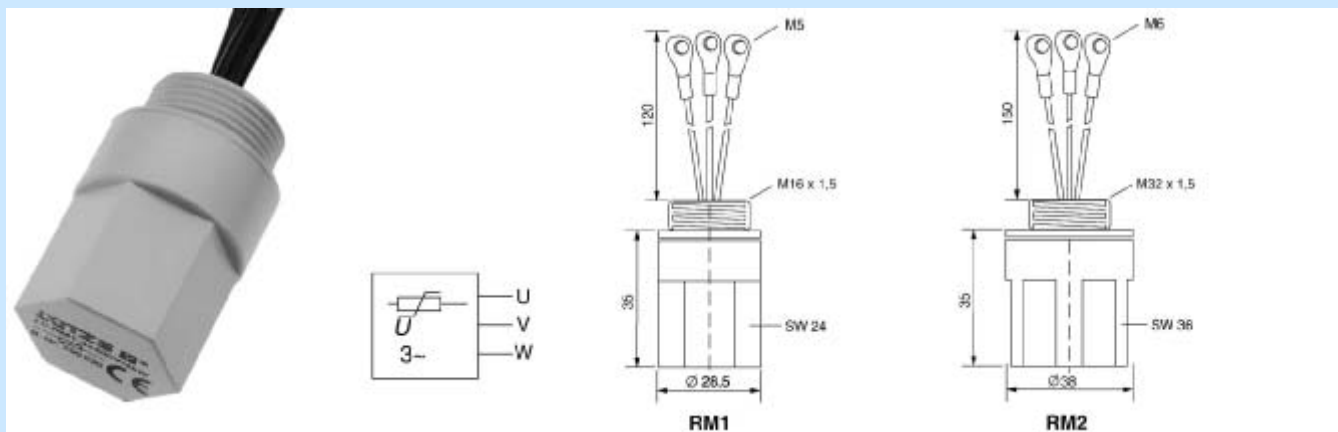
Wiring diagram		
Model	ST10	ST10
Motor performance	max. 5.5 kW	max. 5.5 kW
Connection Cable Type	Outer jacket PUR black (RAL 9005) Conductor insulation PVC black, white printed numbering Cross-section 4 x 1.5 mm ² , outer diameter 9.3 mm	Outer jacket PUR black (RAL 9005) Conductor insulation PVC black, white printed numbering Cross-section 4 x 1.5 mm ² , outer diameter 9.3 mm
Housing Material	Cast aluminium with epoxy powder coating, grey	Cast aluminium with epoxy powder coating, grey
Type of protection	IP65	IP65
Nominal Frequency	10 – 400 Hz	10 – 400 Hz
Operating temperature range	-25 °C – 80 °C	-25 °C – 80 °C
Dimensions (W x H x D)	87 mm x 93 mm x 43 mm	87 mm x 93 mm x 43 mm

Motor suppression for direct attachment to Siemens contactor SIRIUS 3RT 10, also suitable for frequency converter



Protection device	Varistor for 7.5 kW
Wiring diagram	
Type	LV-VM1-6167 3 AC 575V 7,5KW
Article no.	706167
Technical Data	
Motor performance	7.5 kW
Rated Voltage	3 AC 575 V
General Data	
Model	VM1
Mount	Direct fitting to contactor screw contact
Operating temperature range	0 °C – 60 °C
Dimensions (W x H x D)	15 mm x 40 mm x 40,5 mm

Motor suppression with metric thread to be screwed into the RM1/RM2 housing, also suitable for frequency converters



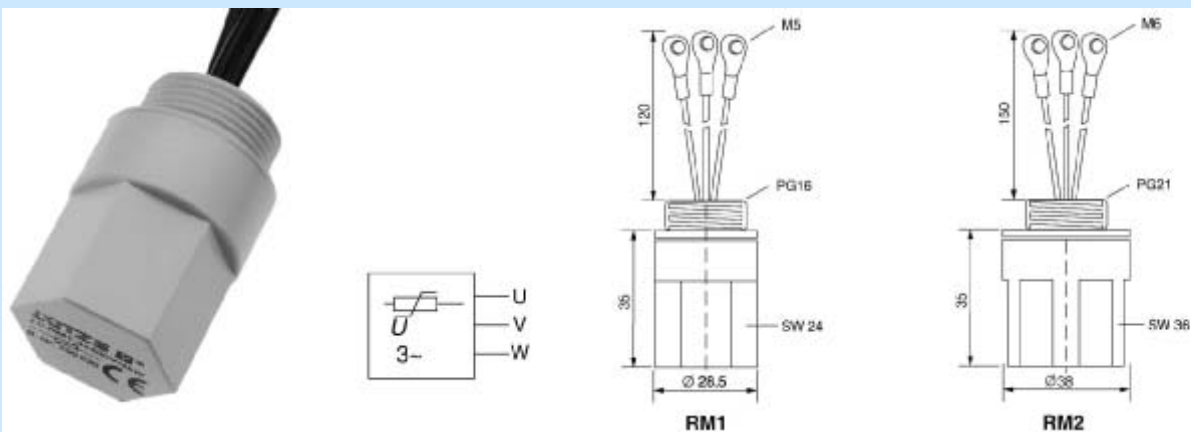
Protection device	Varistor for 4 kW	Varistor for 7.5 kW	Varistor for 15 kW
Wiring diagram			
Type	LV-RM1-1530 3 AC 400 V	LV-RM2-1531 3 AC 400 V	LV-RM2-1532 3 AC 400 V
Article no.	701530	701531	701532
Technical Data			
Motor performance	up to 4 kW	up to 7,5 kW	up to 15 kW
Rated Voltage	3 AC 400 V	3 AC 400 V	3 AC 400 V

Wiring diagram			
Type	LV-RM1-1533 3 AC 575 V	LV-RM2-1534 3 AC 575 V	LV-RM2-1535 3 AC 575 V
Article no.	701533	701534	701535
Technical Data			
Motor performance	up to 4 kW	up to 7.5 kW	up to 15 kW
Rated Voltage	3 AC 575 V	3 AC 575 V	3 AC 575 V

Wiring diagram			
Type	LV-RM1-1536 3 AC 690 V	LV-RM1-1537 3 AC 690 V	LV-RM1-1538 3 AC 690 V
Article no.	701536	701537	701538
Technical Data			
Motor performance	up to 4 kW	up to 7.5 kW	up to 15 kW
Rated Voltage	3 AC 690 V	3 AC 690 V	3 AC 690 V

General Data			
Model	RM1	RM2	RM2
Mount	Can be screwed directly into the terminal housing (M16)	Can be screwed directly into terminal housing (M32)	Can be screwed directly into the terminal housing (M32)
Operating temperature range	0 °C – 60 °C	0 °C – 60 °C	0 °C – 60 °C
Torque	max. 5.0 Nm	max. 14.0 Nm	max. 14.0 Nm
Dimensions (∅ / h / SW)	28,5 mm / 45,5 mm / 24 mm	28,5 mm / 45,5 mm / 36 mm	28,5 mm / 45,5 mm / 36 mm

Motor suppression with PG thread to be screwed into the RM1/RM2 housing, also suitable for frequency converters



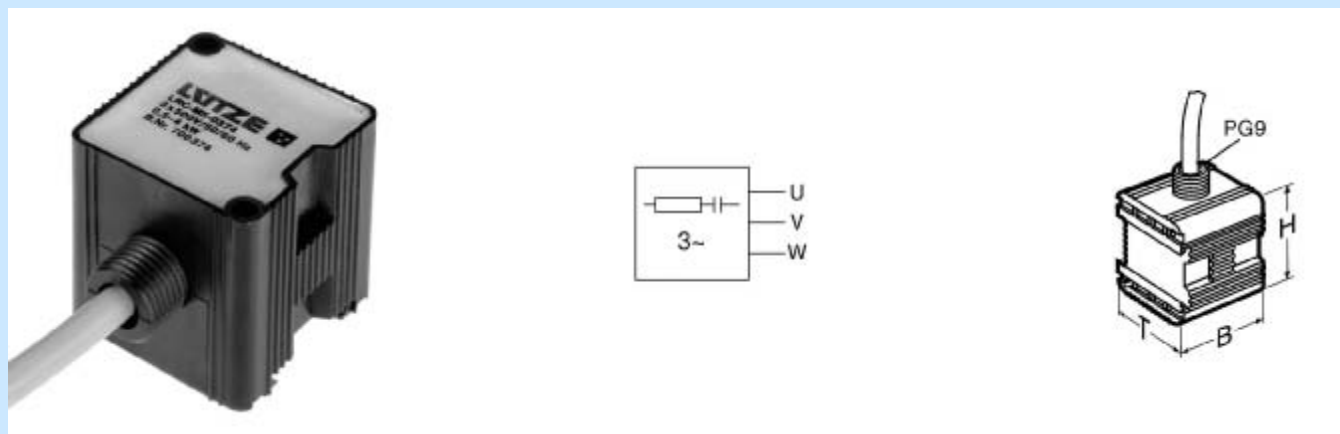
Protection device	Varistor for 4 kW	Varistor for 7.5 kW	Varistor for 15 kW
Wiring diagram			
Type	LV-RM1-0530 3 AC 400 V	LV-RM2-0531 3 AC 400 V	LV-RM2-0532 3 AC 400 V
Article no.	700530	700531	700532
Technical Data			
Motor performance	up to 4 kW	up to 7.5 kW	up to 15 kW
Rated Voltage	3 AC 400 V	3 AC 400 V	3 AC 400 V

Wiring diagram			
Type	LV-RM1-0533 3 AC 500 V	LV-RM2-0534 3 AC 500 V	LV-RM2-0535 3 AC 500 V
Article no.	700533	700534	700535
Technical Data			
Motor performance	up to 4 kW	up to 7.5 kW	up to 15 kW
Rated Voltage	3 AC 575 V	3 AC 575 V	3 AC 575 V

Wiring diagram			
Type	LV-RM1-0536 3 AC 660 V	LV-RM2-0537 3 AC 660 V	LV-RM2-0538 3 AC 660 V
Article no.	700536	700537	700538
Technical Data			
Motor performance	up to 4 kW	up to 7.5 kW	up to 15 kW
Rated Voltage	3 AC 690 V	3 AC 690 V	3 AC 690 V

General Data			
Model	RM1	RM2	RM2
Mount	Can be screwed directly into the terminal housing (PG16)	Can be screwed directly into the terminal housing (PG21)	Can be screwed directly into the terminal housing (PG21)
Operating temperature range	0 °C – 60 °C	0 °C – 60 °C	0 °C – 60 °C
Torque	max. 10.0 Nm	max. 15.0 Nm	max. 15.0 Nm
Dimensions (∅ / h / SW)	28,5 mm / 45,5 mm / 24 mm	38 mm / 45 mm / 36 mm	38 mm / 45 mm / 36 mm

Motor suppression in the M5 housing for screwing into the motor terminal box



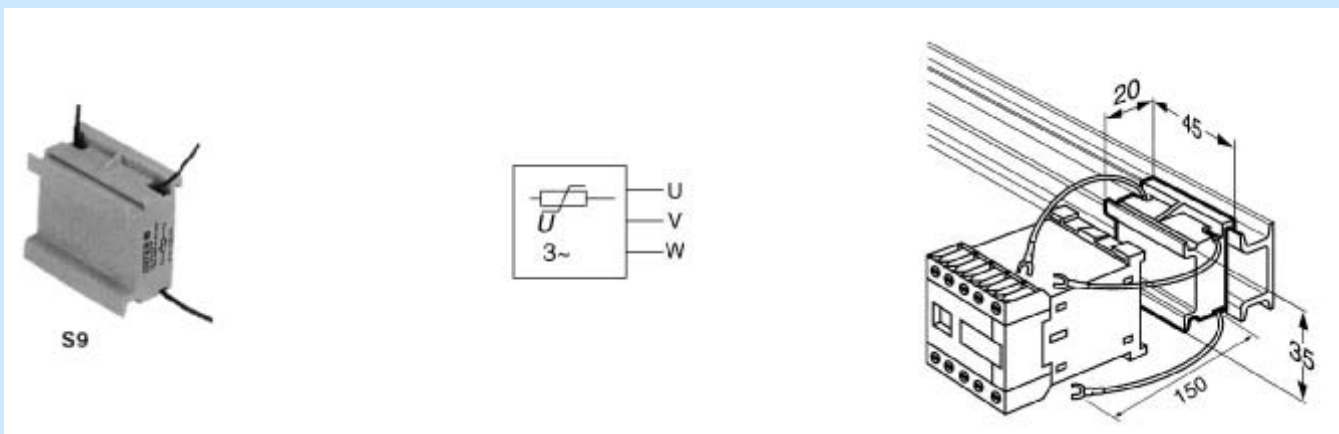
Protection device	RC module for 4 kW	RC module for 7.5 kW
Wiring diagram		
Type	LRC-M5-0372 3 AC 400 V	LRC-M5-0373 3 AC 400 V
Article no.	700372	700373
Technical Data		
Motor performance	up to 4 kW	up to 7.5 kW
Rated Voltage	3 AC 400 V	3 AC 400 V

Wiring diagram		
Type	LRC-M5-0374 3 AC 500 V	LRC-M5-0375 3 AC 500 V
Article no.	700374	700375
Technical Data		
Motor performance	up to 4 kW	up to 7.5 kW
Rated Voltage	3 AC 500 V	3 AC 500 V

Wiring diagram	
Type	
Article no.	700379
Technical Data	
Motor performance	up to 7.5 kW
Rated Voltage	3 AC 575 V

General Data		
Model	M5	M5
Nominal Frequency	50/60 Hz	50/60 Hz
Mount	Can be screwed directly into the terminal housing (PG9) or secured with cable ties to the motor supply cable	Can be screwed directly into the terminal housing (PG9) or secured with cable ties to the motor supply cable
Connection device	PVC cable 3 x 1.0 mm ² /500 mm	PVC cable 3 x 1.0 mm ² /500 mm
Operating temperature range	0 °C – 60 °C	0 °C – 60 °C
Dimensions (W x H x D)	40 mm x 40 mm x 40 mm	40 mm x 40 mm x 40 mm

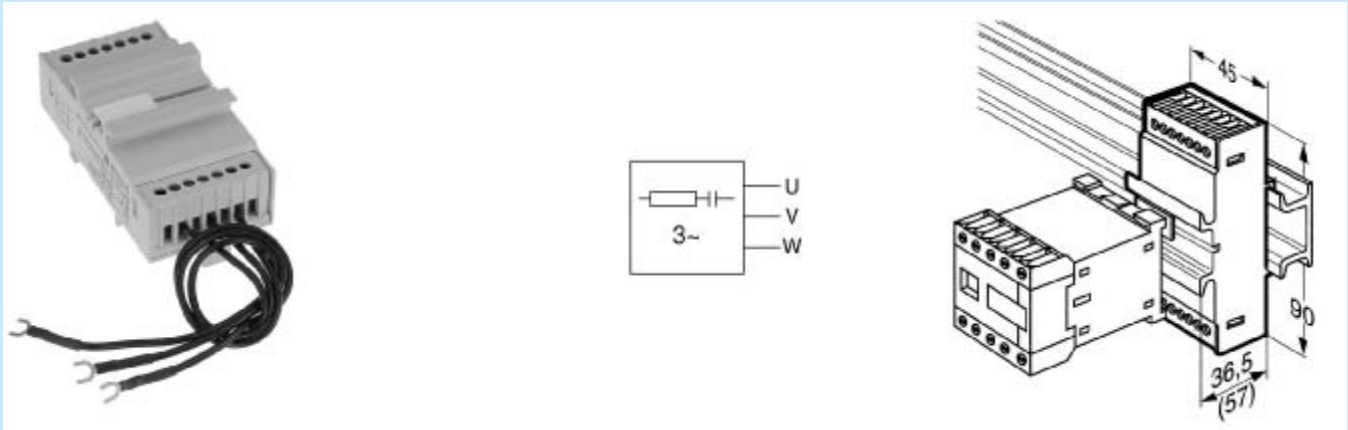
Motor suppression in the S9 housing as base for contactor types up to 45 mm in width



Protection device	Varistor
Wiring diagram	
Type	LV-S9-0217 3 AC 400 V
Article no.	700217
Technical Data	
Motor performance	up to 2.5 kW
Rated Voltage	3 AC 400 V

General Data	
Model	S9
Mount	Can be snapped onto top hat profile TS35 (EN 50 022)
Connection device	Forked spade terminal M4
Connection Cable Type	PVC cable 1.0 mm ² /150 mm
Operating temperature range	0 °C – 60 °C
Dimensions (W x H x D)	40 mm x 20 mm x 35 mm

Motor suppression in the UC housing as base for contactor types up to 45 mm in width



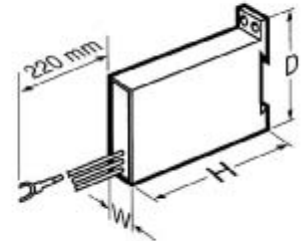
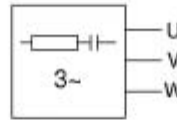
Protection device	RC module	RC module	RC module
Wiring diagram			
Type	LRC-UC-0180 3 AC 400 V	LRC-UC-0181 3 AC 400 V	LRC-UC-0182 3 AC 400 V
Article no.	700180	700181	700182
Technical Data			
Motor performance	up to 4 kW	up to 7.5 kW	up to 15 kW
Rated Voltage	3 AC 400 V	3 AC 400 V	3 AC 400 V

Wiring diagram			
Type	LRC-UC-0190 3 AC 500 V	LRC-UC-0191 3 AC 500 V	LRC-UC-0192 3 AC 500 V
Article no.	700190	700191	700192
Technical Data			
Motor performance	up to 4 kW	up to 7.5 kW	up to 15 kW
Rated Voltage	3 AC 500 V	3 AC 500 V	3 AC 500 V

Wiring diagram			
Type	LRC-UC-0140 3 AC 660 V	LRC-UC-0141 3 AC 660 V	LRC-UC-0142 3 AC 660 V
Article no.	700140	700141	700142
Technical Data			
Motor performance	up to 4 kW	up to 7.5 kW	up to 15 kW
Rated Voltage	3 AC 690 V	3 AC 690 V	3 AC 690 V

General Data			
Model	UC	UC	UC
Nominal Frequency	50/60 Hz	50/60 Hz	50/60 Hz
Mount	Can be snapped onto top hat profile TS35 (EN 50 022)	Can be snapped onto top hat profile TS35 (EN 50 022)	Can be snapped onto top hat profile TS35 (EN 50 022)
Connection device	Forked spade terminal M4	Forked spade terminal M4	Forked spade terminal M4
Connection Cable Type	PVC cable 1.0 mm ² /200 mm	PVC cable 1.0 mm ² /200 mm	PVC cable 1.0 mm ² /200 mm
Operating temperature range	0 °C – 60 °C	0 °C – 60 °C	0 °C – 60 °C
Dimensions (W x H x D)	40 mm x 36,5 mm x 90 mm	40 mm x 36,5 mm x 90 mm	40 mm x 36,5 mm x 90 mm

Motor suppression in the M1 and M2 housing for three-phase motors

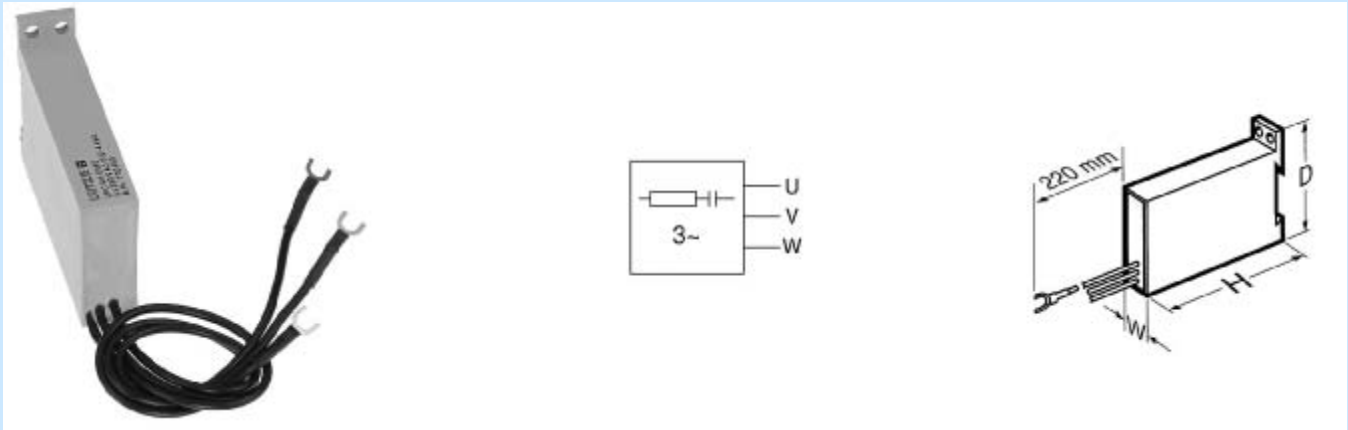


Protection device	RC module for 4 kW	RC module for 7.5 kW	RC module for 15 kW
Wiring diagram			
Type	LRC-M1-0480 3 AC 400 V	LRC-M2-0481 3 AC 400 V	LRC-M2-0482 3 AC 400 V
Article no.	700480	700481	700482
Technical Data			
Motor performance	4 kW	7.5 kW	15 kW
Rated Voltage	3 AC 400 V	3 AC 400 V	3 AC 400 V

Wiring diagram			
Type	LRC-M1-0490 3 AC 500 V	LRC-M2-0491 3 AC 500 V	LRC-M2-0492 3 AC 500 V
Article no.	700490	700491	700492
Technical Data			
Motor performance	4 kW	7.5 kW	15 kW
Rated Voltage	3 AC 500 V	3 AC 500 V	3 AC 500 V

General Data			
Model	M1	M2	M2
Nominal Frequency	50/60 Hz	50/60 Hz	50/60 Hz
Mount	With mounting hole M4 or can be snapped onto 35 mm top hat profile with additional snap-on base, part no. 700499	With mounting hole M4 or can be snapped onto 35 mm top hat profile with additional snap-on base, part no. 700499	With mounting hole M4 or can be snapped onto 35 mm top hat profile with additional snap-on base, part no. 700499
Connection device	Forked spade terminal M4	Forked spade terminal M4	Forked spade terminal M4
Connection Cable Type	PVC cable 1.0 mm ² /220 mm	PVC cable 1.0 mm ² /220 mm	PVC cable 1.0 mm ² /220 mm
Operating temperature range	0 °C – 60 °C	0 °C – 60 °C	0 °C – 60 °C
Dimensions (W x H x D)	15 mm x 70 mm x 48 mm	20 mm x 80 mm x 58 mm	20 mm x 80 mm x 58 mm
Accessories	Snap-on base type 2, 2 x part no. 700499 see chapter 'Accessories'	Snap-on base type 2, 2 x part no. 700499 see chapter 'Accessories'	Snap-on base type 2, 2 x part no. 700499 see chapter 'Accessories'

Motor suppression in the M3 housing for three-phase motors



Protection device	RC module for 30 kW
Wiring diagram	
Type	LRC-M3-0483 3 AC 400 V
Article no.	700483
Technical Data	
Motor performance	30 kW
Rated Voltage	3 AC 400 V

Wiring diagram	
Type	LRC-M3-0493 3 AC 500 V
Article no.	700493
Technical Data	
Motor performance	30 kW
Rated Voltage	3 AC 500 V

General Data	
Model	M3
Nominal Frequency	50/60 Hz
Mount	With mounting hole M4 or can be snapped onto 35 mm top hat profile with additional snap-on base, part no. 700499
Connection device	Forked spade terminal M4
Operating temperature range	0 °C – 60 °C
Dimensions (W x H x D)	25 mm x 90 mm x 58 mm
Accessories	Snap-on base type 2, 2 x part no. 700499 see chapter 'Accessories'